

## 18 Ft Residential Flagpoles Installation & Ground Set Instructions

### GROUND SET:

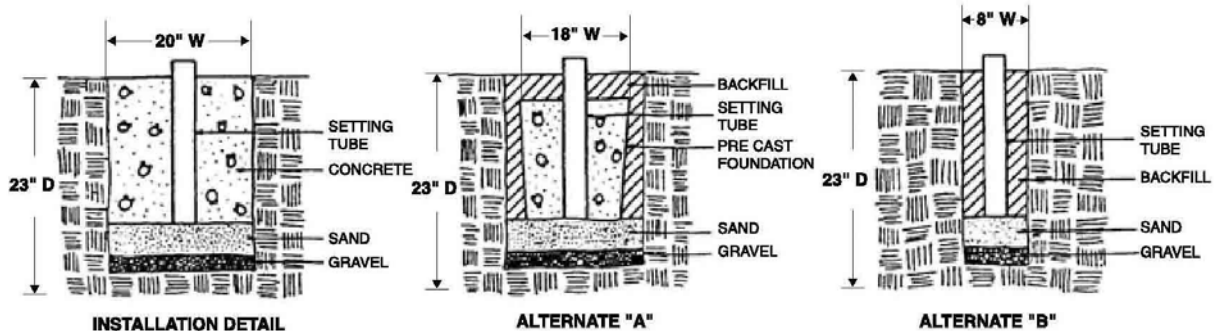
Prepare a hole in the ground that measures 23" deep x 20" diameter for the 18' pole. Fill bottom with gravel and sand to a depth of 6". Place PVC setting tube into hole, and work the bottom into the sand. Plumb and brace tube, then pour concrete into hole around tube to within 1" to 1-1/2" of top. Be careful to keep inside of tube clean and free of concrete. Re-plumb setting tube before concrete sets, by temporarily inserting bottom section of pole and plumbing it instead of tube. Allow concrete to cure 24 hours before installing flagpole.

### ALTERNATE "A"

When concrete is not available at the installation site, you can use a large plastic wastebasket or pail as a concrete form. In this way you can cast the concrete foundation in one location, and then move it to the jobsite for final installation. The wastebasket or pail should be 13" to 16" deep, and at least 18" in diameter. If you decide to leave the form in place around the concrete when installing the foundation, be sure to cut an opening in the bottom of the plastic so that the butt of the flagpole can contact the sand. When you place the pre-cast foundation into the hole, work it well into the sand before backfilling. All back fill must be firmly tamped, layer-by-layer.

### ALTERNATE "B"

When it is not practical to use a concrete foundation, you will find that an 8" diameter hole cut into firm soil with a post-hole digger will work just as well. After the hole is dug, carefully plumb the setting tube before tamping backfill into the hole. All back fill must be firmly tamped and compressed, layer-by-layer.

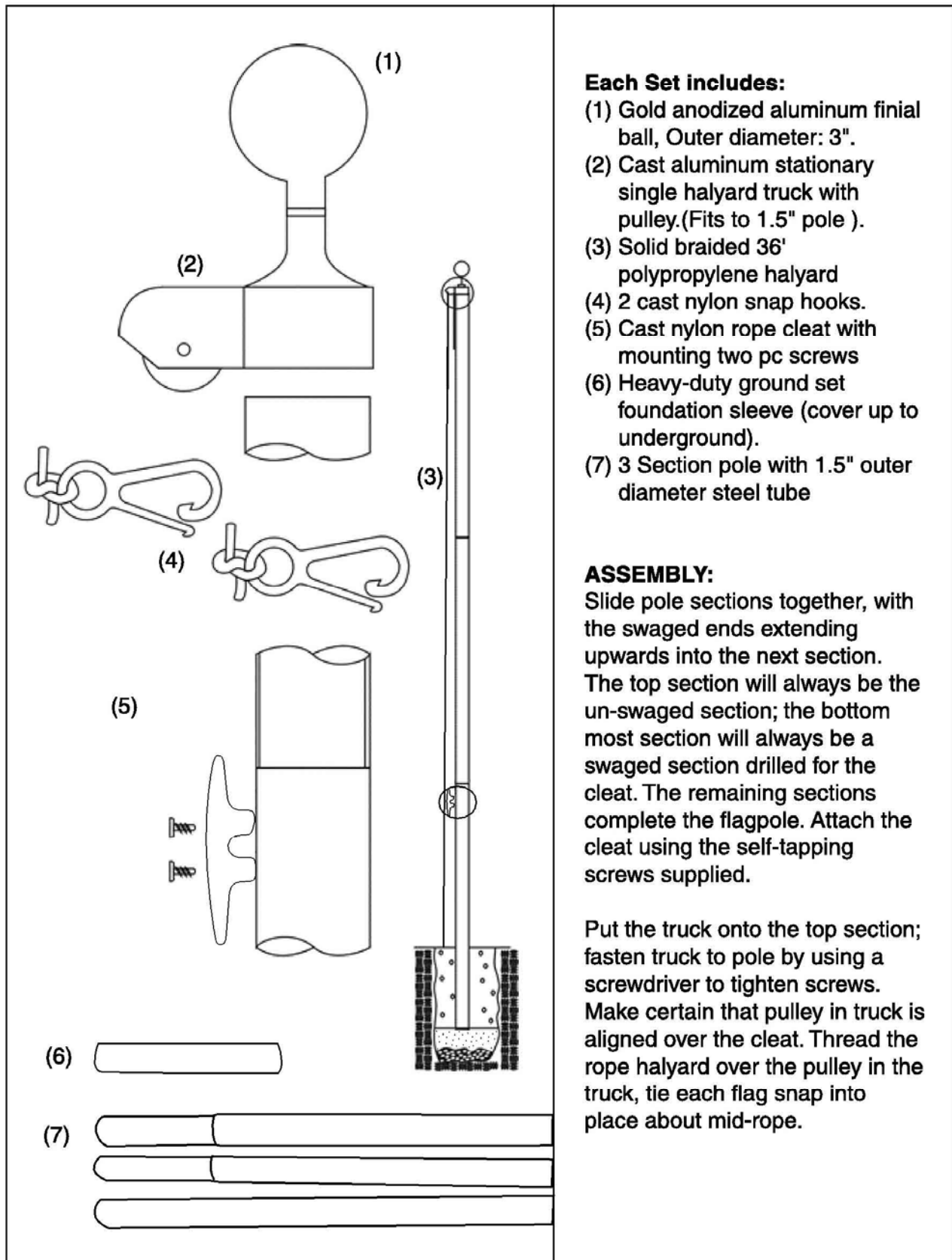


### **CAUTION**

Extreme caution should be exercised when installing flagpoles near overhead power-lines or in the vicinity of buried cables.

It is advisable to remove the flag from the pole in severe wind conditions over 45 MPH.

## 18 Ft Residential Flagpoles Installation



### Each Set includes:

- (1) Gold anodized aluminum finial ball, Outer diameter: 3".
- (2) Cast aluminum stationary single halyard truck with pulley.(Fits to 1.5" pole ).
- (3) Solid braided 36' polypropylene halyard
- (4) 2 cast nylon snap hooks.
- (5) Cast nylon rope cleat with mounting two pc screws
- (6) Heavy-duty ground set foundation sleeve (cover up to underground).
- (7) 3 Section pole with 1.5" outer diameter steel tube

### ASSEMBLY:

Slide pole sections together, with the swaged ends extending upwards into the next section. The top section will always be the un-swaged section; the bottom most section will always be a swaged section drilled for the cleat. The remaining sections complete the flagpole. Attach the cleat using the self-tapping screws supplied.

Put the truck onto the top section; fasten truck to pole by using a screwdriver to tighten screws. Make certain that pulley in truck is aligned over the cleat. Thread the rope halyard over the pulley in the truck, tie each flag snap into place about mid-rope.